



ARISTAIPC

Hazardous Locations Panel PCs

Datasheet Collection

www.aristaipc.com

Contents

Industrial Panel PCs

Hazardous Locations Panel PCs

ARP-2215AP-G01	03
ARP-2217AP-G01	05
ARP-2219AP-G01	07
ARP-2221AP-G01	09
ARP-3821AX	11
ARP-5515AX	13
ARP-5517AX	15
ARP-5519AX	17



ARP-2215AP-G01

Panel Mount Panel PC with 15-inch 5-Wire Resistive Touch for Use in Class I, Division 2 Hazardous Locations

Features

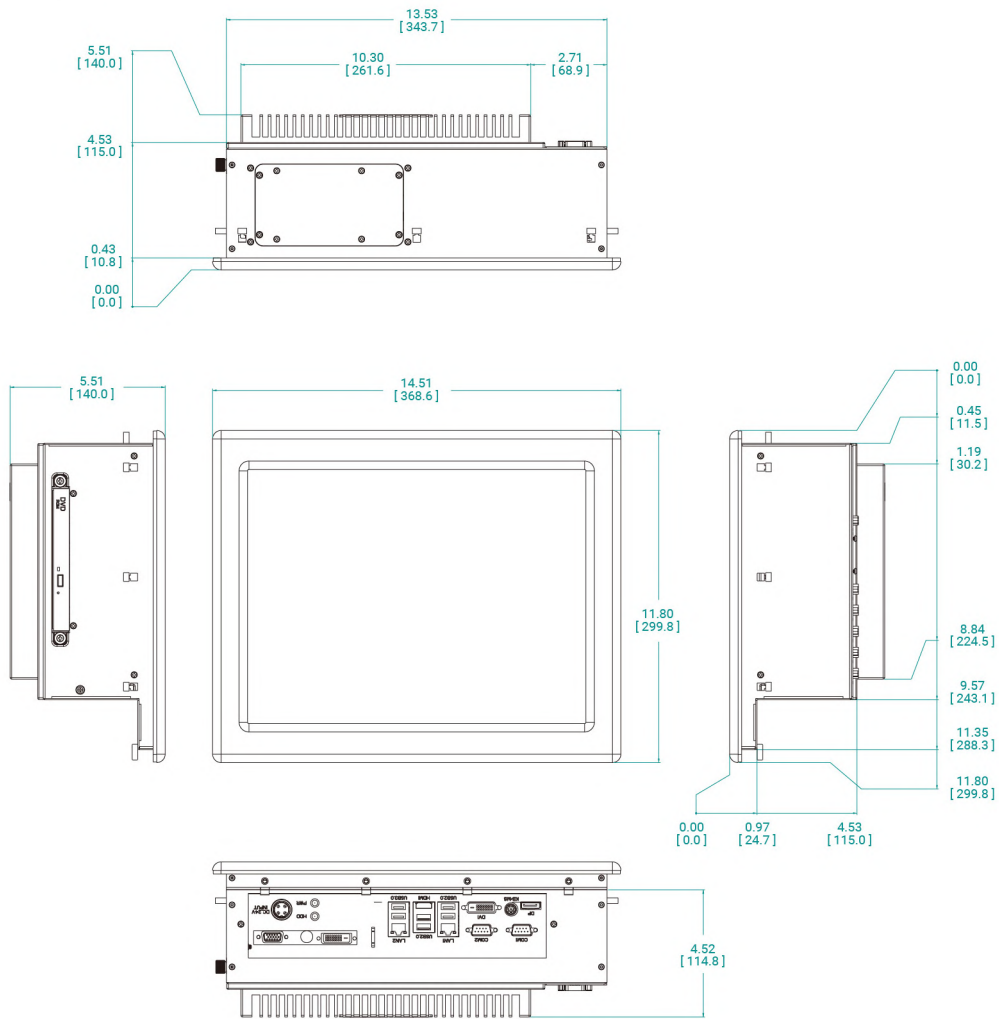
- 15" LCD, 1024 x 768 Resolution
- 5-Wire Resistive Touch
- Aluminum or Stainless-Steel Bezel
- Intel i7-3612QM CPU
- Up to 16GB DDR3 SO-DIMM
- Optional 2.5" SSD
- Dual Gigabit Ethernet
- 2 x RS-232/422/485 BIOS Selectable
- 2 x USB 3.0, 4 x USB 2.0 ports
- 24VDC Operating Voltage
- for Use in Class I, Division 2 Hazardous Locations

Specifications

Model Name	ARP-2215AP-G01
LCD Display	
Display Size (Diagonal)	15.0 inch
Resolution	1024 x 768
Backlight Lifetime (Hours)	50,000
Visual Characteristics	
Colors	16.7 million
Aspect Ratio	4:3
Viewing Angle (V/H)	140° / 170°
Contrast Ratio	700 : 1
Brightness	300 nits (max)
Touchscreen	
Technology	5 Wire Resistive
Interface	USB
Driver	Windows XP, 7, 10
Front Bezel	
NEMA 4	Black Powder Coated Aluminum
NEMA 4x	Stainless Steel (Optional)
System	
CPU	Intel i7-3612QM
Chipset	Intel QM77
Memory	Up to 16GB DDR3
Video Controller	Intel HD Graphics 4000
External Video Output	DVI / HDMI / Display Port
Storage Option	Optional 2.5" SSD
Compact Flash	N/A
Keyboard / Mouse	1 x PS / 2 connector
Audio	Line in, Line Out, Mic-In
Watchdog Timer	Programmable 1 - 255 sec
Remote Boot	ThinManager Ready, PXE
Expansion Slot	1 x PCIe x16
I/O Communication	
USB Port	4 x USB 2.0, 2 x USB 3.0
Serial Port	2 x RS-232/422/485
IEEE 1394	N/A
LAN	Dual Gigabit LAN
Parallel	N/A
GPIO	N/A
Smart Battery	
External Smart Battery	N/A
OS Support	
OS Support	Windows XP, 7, 10
Power/Thermal Specs	
Power Requirement (Max)	24VDC / 2.60A
Power Consumption (Max)	62 W
Recommended Power Supply	90W
Heat Dissipation	211 BTU/hr
Physical Information	
Mounting	Panel Mount
Net Weight	19 Lbs / 8 Kg
Dimension (W x H x D)	14.51 x 11.80 x 4.57 inch 368.6 x 299.8 x 116.2 mm
Recommended Cutout Dimension (WxH)	13.75 x 11.10 inch 349.3 x 281.9 mm
Environmental	
Operating Temperature	0~50°C (32~122°F)
Storage Temperature	-20~60°C (-4~140°F)
Relative Humidity	0~95%
IP/NEMA Rating	Bezel meets NEMA 4/4X requirements
Certification	North America Class 1 Division 2

Dimension Drawing

Model Name: ARP-2215AP-G01
 Size Unit: inch(mm)



Ordering Information

Item	ARP-2215AP-G01-002-C1D2	ARP-2215AP-G01-006-C1D2
LCD Display	15.0" LCD / 1024 x 768	15.0" LCD / 1024 x 768
Touch Screen	5-Wire	5-Wire
Bezel	Black Powder Coated Aluminum	Stainless Steel
CPU	Intel i7-3612QM	Intel i7-3612QM
Memory	4GB DDR3	4GB DDR3
Storage	N/A	N/A
Remote Boot	ThinManager Ready	ThinManager Ready
Power Supply	24VDC INPUT	24VDC INPUT

Item	ARP-2215AP-G01-090-C1D2	ARP-2215AP-G01-094-C1D2
LCD Display	15.0" LCD / 1024 x 768	15.0" LCD / 1024 x 768
Touch Screen	5-Wire	5-Wire
Bezel	Black Powder Coated Aluminum	Stainless Steel
CPU	Intel i7-3612QM	Intel i7-3612QM
Memory	16GB DDR3	16GB DDR3
Storage	512GB 2.5" SATA SSD	512GB 2.5" SATA SSD
Remote Boot	N/A	N/A
Power Supply	24VDC INPUT	24VDC INPUT



ARP-2217AP-G01

Panel Mount Panel PC with 17-inch 5-Wire Resistive Touch for Use in Class I, Division 2 Hazardous Locations

Features

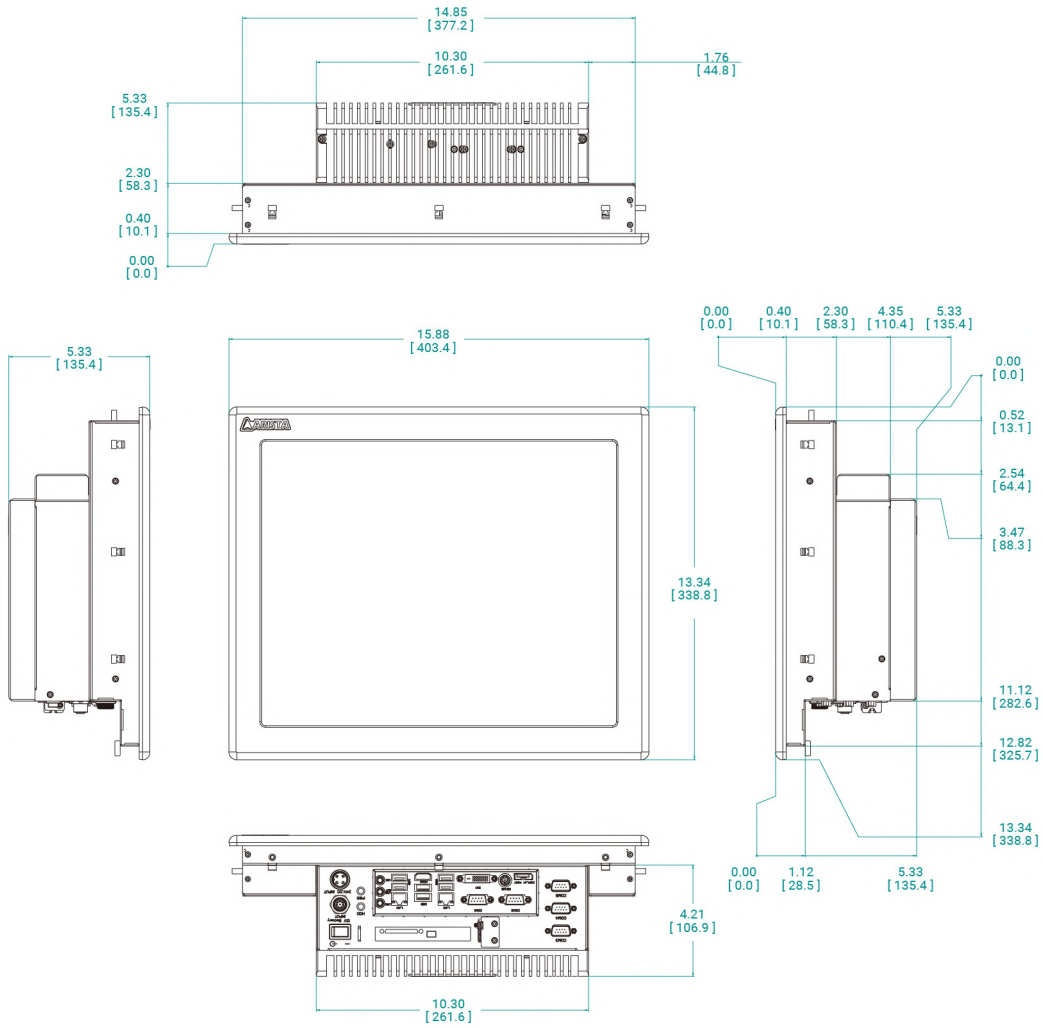
- 17" LCD, 1280 x 1024 Resolution
- 5-Wire Resistive Touch
- Aluminum or Stainless-Steel Bezel
- Intel i7-3612QM CPU
- Up to 16GB DDR3 SO-DIMM
- Optional 2.5" SSD
- Dual Gigabit Ethernet
- 2 x RS-232/422/485 BIOS Selectable
- 2 x USB 3.0, 4 x USB 2.0 ports
- 24VDC Operating Voltage
- for Use in Class I, Division 2 Hazardous Locations

Specifications

Model Name	ARP-2217AP-G01
LCD Display	
Display Size (Diagonal)	17.0 inch
Max Resolution	1280 x 1024
Backlight Lifetime (Hours)	50,000 hours
Visual Characteristics	
Colors	16.7 million
Aspect Ratio	5:4
Viewing Angle (V/H)	160° / 140°
Contrast Ratio	800 : 1
Brightness	350 nits
Touchscreen	
Technology	5 Wire Resistive
Interface	USB
Driver	Windows XP, 7, 10
Front Bezel	
NEMA 4	Black Powder Coated Aluminum
NEMA 4x	Stainless Steel (Optional)
System	
CPU	Intel i7-3612QM
Chipset	Intel QM77
Memory	Up to 16GB DDR3
Video Controller	Intel HD Graphics 4000
External Video Output	DVI / HDMI / Display Port
Storage Option	Optional 2.5" SSD
Compact Flash	N/A
Keyboard / Mouse	1 x PS / 2 connector
Audio	Line in, Line Out, Mic-In
Watchdog Timer	Programmable 1 - 255 sec
Remote Boot	ThinManager Ready, PXE
Expansion Slot	1 x PCIe x16
I/O Communication	
USB Port	4 x USB 2.0, 2 x USB 3.0
Serial Port	2 x RS-232/422/485
IEEE 1394	N/A
LAN	Dual Gigabit LAN
Parallel	N/A
GPIO	N/A
Smart Battery	
External Smart Battery	N/A
OS Support	
OS Support	Windows XP, 7, 10
Power/Thermal Specs	
Power Requirement (Max)	24VDC / 3.00A
Power Consumption (Max)	72 W
Recommended Power Supply	120W
Heat Dissipation	250 BTU/hr
Physical Information	
Mounting	Panel Mount
Net Weight	21 Lbs / 9 Kg
Dimension (W x H x D)	15.88 x 13.34 x 4.81 inch 403.4 x 338.8 x 122.2 mm
Recommended Cutout Dimension (WxH)	15.07 x 12.51 inch 382.8 x 317.8 mm
Environmental	
Operating Temperature	0~50°C (32~122°F)
Storage Temperature	-20~60°C (-4~140°F)
Relative Humidity	0~95%
IP/NEMA Rating	Meets NEMA 4X
Certification	North America Class 1 Division 2

Dimension Drawing

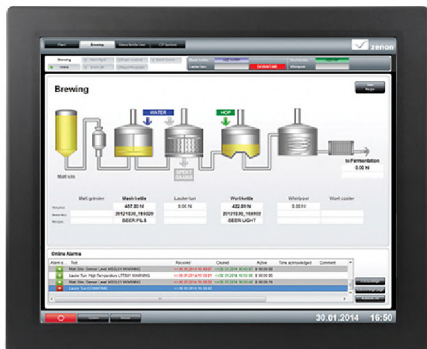
Model Name: ARP-2217AP-G01
 Size Unit: inch(mm)



Ordering Information

Item	ARP-2217AP-G01-002-C1D2	ARP-2217AP-G01-006-C1D2
LCD Display	17.0" LCD / 1280 x 1024	17.0" LCD / 1280 x 1024
Touch Screen	5-Wire	5-Wire
Bezel	Black Powder Coated Aluminum	Stainless Steel
CPU	Intel i7-3612QM	Intel i7-3612QM
Memory	4GB DDR3	4GB DDR3
Storage	N/A	N/A
Remote Boot	ThinManager Ready	ThinManager Ready
Power Supply	24VDC INPUT	24VDC INPUT

Item	ARP-2217AP-G01-090-C1D2	ARP-2217AP-G01-094-C1D2
LCD Display	17.0" LCD / 1280 x 1024	17.0" LCD / 1280 x 1024
Touch Screen	5-Wire	5-Wire
Bezel	Black Powder Coated Aluminum	Stainless Steel
CPU	Intel i7-3612QM	Intel i7-3612QM
Memory	16GB DDR3	16GB DDR3
Storage	512GB 2.5" SATA SSD	512GB 2.5" SATA SSD
Remote Boot	N/A	N/A
Power Supply	24VDC INPUT	24VDC INPUT



ARP-2219AP-G01

Panel Mount Panel PC with 19-inch 5-Wire Resistive Touch for Use in Class I, Division 2 Hazardous Locations

Features

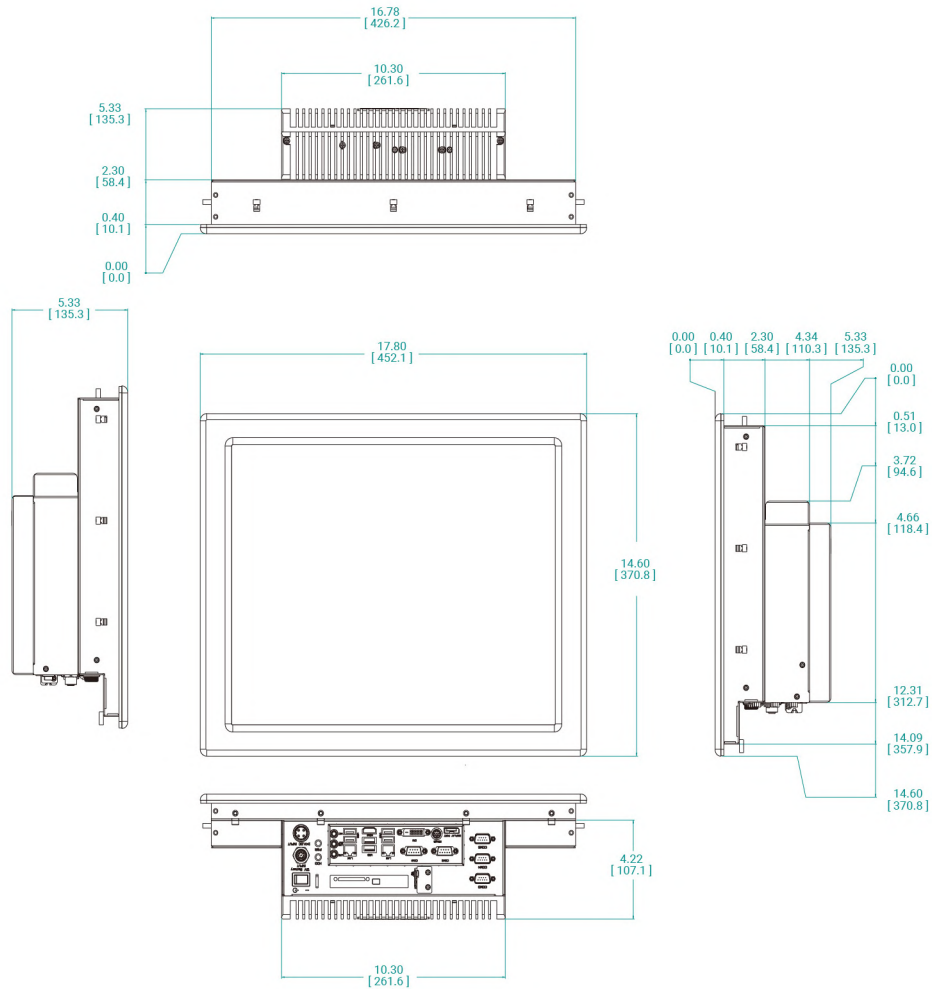
- 19" LCD, 1280 x 1024 Resolution
- 5-Wire Resistive Touch
- Aluminum or Stainless-Steel Bezel
- Intel i7-3612QM CPU
- Up to 16GB DDR3 SO-DIMM
- Optional 2.5" SSD
- Dual Gigabit Ethernet
- 2 x RS-232/422/485 BIOS Selectable
- 2 x USB 3.0, 4 x USB 2.0 ports
- 24VDC Operating Voltage
- for Use in Class I, Division 2 Hazardous Locations

Specifications

Model Name	ARP-2219AP-G01
LCD Display	
Display Size (Diagonal)	19.0 inch
Max Resolution	1280 x 1024
Backlight Lifetime (Hours)	50,000 hours
Visual Characteristics	
Colors	16.7 million
Aspect Ratio	5:4
Viewing Angle (V/H)	160° / 170°
Response time (Typical)	30 ms
Contrast Ratio	1000 : 1
Brightness	450 nits
Touchscreen	
Technology	5 Wire Resistive
Interface	USB
Driver	Windows XP, 7, 10
Front Bezel	
NEMA 4	Black Powder Coated Aluminum
NEMA 4x	Stainless Steel (Optional)
System	
CPU	Intel i7-3612QM
Chipset	Intel QM77
Memory	Up to 16GB DDR3
Video Controller	Intel HD Graphics 4000
External Video Output	DVI / HDMI / Display Port
Storage Option	Optional 2.5" SSD
Compact Flash	N/A
Keyboard / Mouse	1 x PS / 2 connector
Audio	Line in, Line Out, Mic-In
Watchdog Timer	Programmable 1 - 255 sec
Remote Boot	ThinManager Ready, PXE
Expansion Slot	1 x PCIe x16
I/O Communication	
USB Port	4 x USB 2.0, 2 x USB 3.0
Serial Port	2 x RS-232/422/485
IEEE 1394	N/A
LAN	Dual Gigabit LAN
Parallel	N/A
GPIO	N/A
Smart Battery	
External Smart Battery	N/A
OS Support	
OS Support	Windows XP, 7, 10
Power/Thermal Specs	
Power Requirement (Max)	24VDC / 3.00A
Power Consumption (Max)	72 W
Recommended Power Supply	120W
Heat Dissipation	250 BTU/hr
Physical Information	
Mounting	Panel Mount
Net Weight	25 Lbs / 11 Kg
Dimension (W x H x D)	17.80 x 14.60 x 5.71 inch 452.1 x 370.8 x 145.0 mm
Recommended Cutout Dimension (WxH)	17.00 x 13.78 inch 431.8 x 350.0 mm
Environmental	
Operating Temperature	0~50°C (32~122°F)
Storage Temperature	-20~60°C (-4~140°F)
Relative Humidity	0~95%
IP/NEMA Rating	Meets NEMA 4X
Certification	North America Class 1 Division 2

Dimension Drawing

Model Name: ARP-2219AP-G01
 Size Unit: inch(mm)



Ordering Information

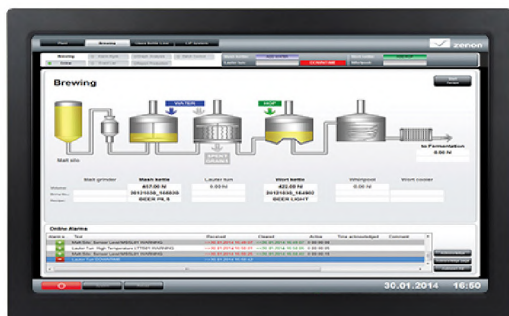
Item	ARP-2219AP-G01-002-C1D2	ARP-2219AP-G01-006-C1D2
LCD Display	19.0" LCD / 1280 x 1024	19.0" LCD / 1280 x 1024
Touch Screen	5-Wire	5-Wire
Bezel	Black Powder Coated Aluminum	Stainless Steel
CPU	Intel i7-3612QM	Intel i7-3612QM
Memory	4GB DDR3	4GB DDR3
Storage	N/A	N/A
Remote Boot	ThinManager Ready	ThinManager Ready
Power Supply	24VDC INPUT	24VDC INPUT

Item	ARP-2219AP-G01-090-C1D2	ARP-2219AP-G01-094-C1D2
LCD Display	19.0" LCD / 1280 x 1024	19.0" LCD / 1280 x 1024
Touch Screen	5-Wire	5-Wire
Bezel	Black Powder Coated Aluminum	Stainless Steel
CPU	Intel i7-3612QM	Intel i7-3612QM
Memory	16GB DDR3	16GB DDR3
Storage	512GB 2.5" SATA SSD	512GB 2.5" SATA SSD
Remote Boot	N/A	N/A
Power Supply	24VDC INPUT	24VDC INPUT



ARP-2221AP-G01

Panel Mount Panel PC with 21.5-inch 5-Wire Resistive Touch for Use in Class I, Division 2 Hazardous Locations



Features

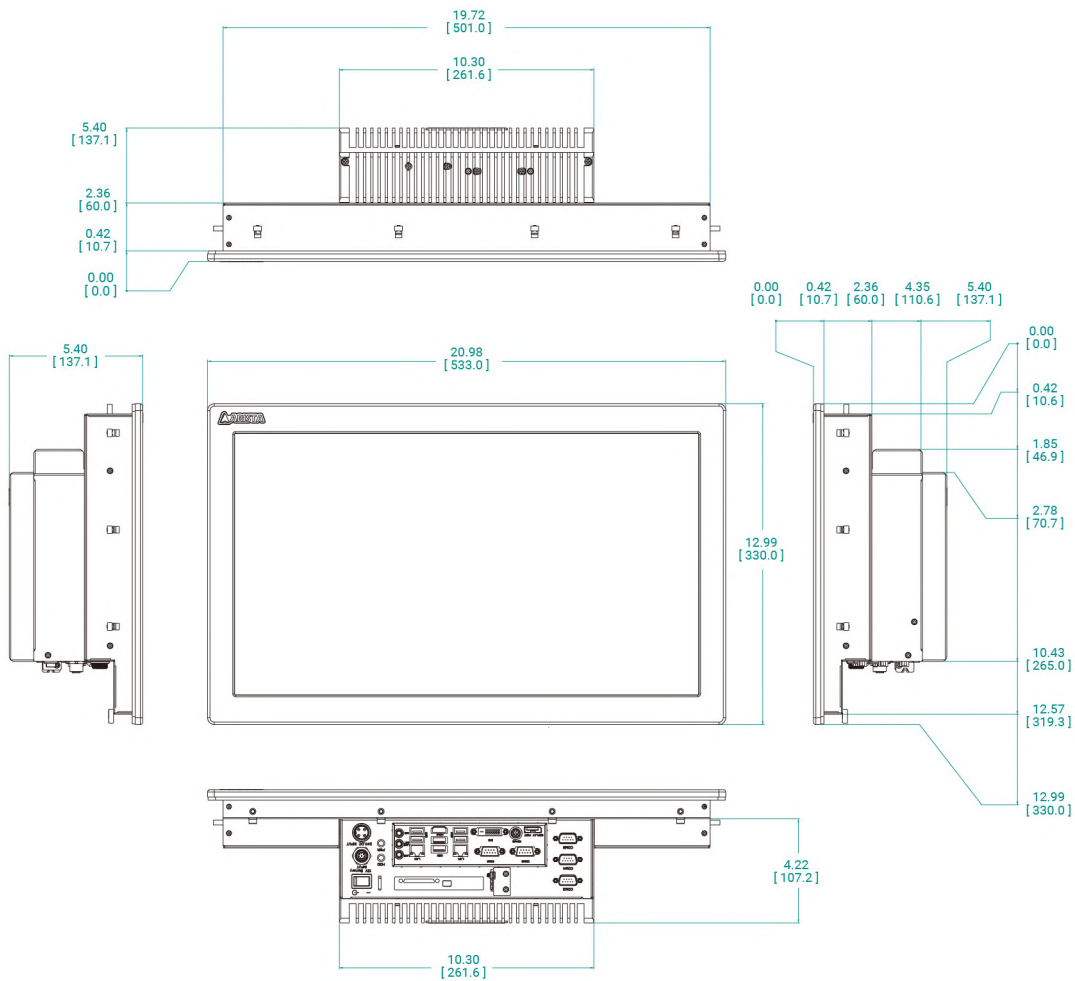
- 21.5" LCD, 1920 x 1080 Resolution
- 5-Wire Resistive Touch
- Aluminum or Stainless-Steel Bezel
- Intel i7-3612QM CPU
- Up to 16GB DDR3 SO-DIMM
- Optional 2.5" SSD
- Dual Gigabit Ethernet
- 2 x RS-232/422/485 BIOS Selectable
- 2 x USB 3.0, 4 x USB 2.0 ports
- 24VDC Operating Voltage
- for Use in Class I, Division 2 Hazardous Locations

Specifications

Model Name	ARP-2221AP-G01
LCD Display	
Display Size (Diagonal)	21.5 inch
Max Resolution	1920 x 1080
Backlight Lifetime (Hours)	50,000 hours
Visual Characteristics	
Colors	16.7 million
Aspect Ratio	16:9
Viewing Angle (V/H)	178° / 178°
Contrast Ratio	1000 : 1
Brightness	250 nits
Touchscreen	
Technology	Projected Capacitive
Interface	USB
Driver	Windows XP, 7, 10
Front Bezel	
NEMA 4	Black Powder Coated Aluminum
NEMA 4x	Stainless Steel (Optional)
System	
CPU	Intel i7-3612QM
Chipset	Intel QM77
Memory	Up to 16GB DDR3
Video Controller	Intel HD Graphics 4000
External Video Output	DVI / HDMI / Display Port
Storage Option	Optional 2.5" SSD
Compact Flash	N/A
Keyboard / Mouse	1 x PS / 2 connector
Audio	Line in, Line Out, Mic-In
Watchdog Timer	Programmable 1 - 255 sec
Remote Boot	ThinManager Ready, PXE
Expansion Slot	1 x PCIe x16
I/O Communication	
USB Port	4 x USB 2.0, 2 x USB 3.0
Serial Port	2 x RS-232/422/485
IEEE 1394	N/A
LAN	Dual Gigabit LAN
Parallel	N/A
GPIO	N/A
Smart Battery	
External Smart Battery	N/A
OS Support	
OS Support	Windows XP, 7, 10
Power/Thermal Specs	
Power Requirement (Max)	24VDC / 3.00A
Power Consumption (Max)	72 W
Recommended Power Supply	120W
Heat Dissipation	250 BTU/hr
Physical Information	
Mounting	Panel Mount
Net Weight	28 Lbs / 12.7 Kg
Dimension (W x H x D)	20.98 x 12.99 x 5.78 inch 533.0 x 330.0 x 146.7 mm
Recommended Cutout Dimension (WxH)	19.92 x 12.35 inch 506.0 x 313.7 mm
Environmental	
Operating Temperature	0~50°C (32~122°F)
Storage Temperature	-20~60°C (-4~140°F)
Relative Humidity	0~95%
IP/NEMA Rating	Meets NEMA 4X
Certification	North America Class 1 Division 2

Dimension Drawing

Model Name: ARP-2221AP-G01
 Size Unit: inch(mm)



Ordering Information

Item	ARP-2221AP-G01-002-C1D2	ARP-2221AP-G01-006-C1D2
LCD Display	21.5" LCD / 1920 x 1080	21.5" LCD / 1920 x 1080
Touch Screen	5-Wire	5-Wire
Bezel	Black Powder Coated Aluminum	Stainless Steel
CPU	Intel i7-3612QM	Intel i7-3612QM
Memory	4GB DDR3	4GB DDR3
Storage	N/A	N/A
Remote Boot	ThinManager Ready	ThinManager Ready
Power Supply	24VDC INPUT	24VDC INPUT

Item	ARP-2221AP-G01-090-C1D2	ARP-2221AP-G01-094-C1D2
LCD Display	21.5" LCD / 1920 x 1080	21.5" LCD / 1920 x 1080
Touch Screen	5-Wire	5-Wire
Bezel	Black Powder Coated Aluminum	Stainless Steel
CPU	Intel i7-3612QM	Intel i7-3612QM
Memory	16GB DDR3	16GB DDR3
Storage	512GB 2.5" SATA SSD	512GB 2.5" SATA SSD
Remote Boot	N/A	N/A
Power Supply	24VDC INPUT	24VDC INPUT



ARP-3821AX

NEMA 4X Waterproof Panel PC with 21.5-inch Projected Capacitive Touch for Use in Class I, Division 2 Hazardous Locations

Features

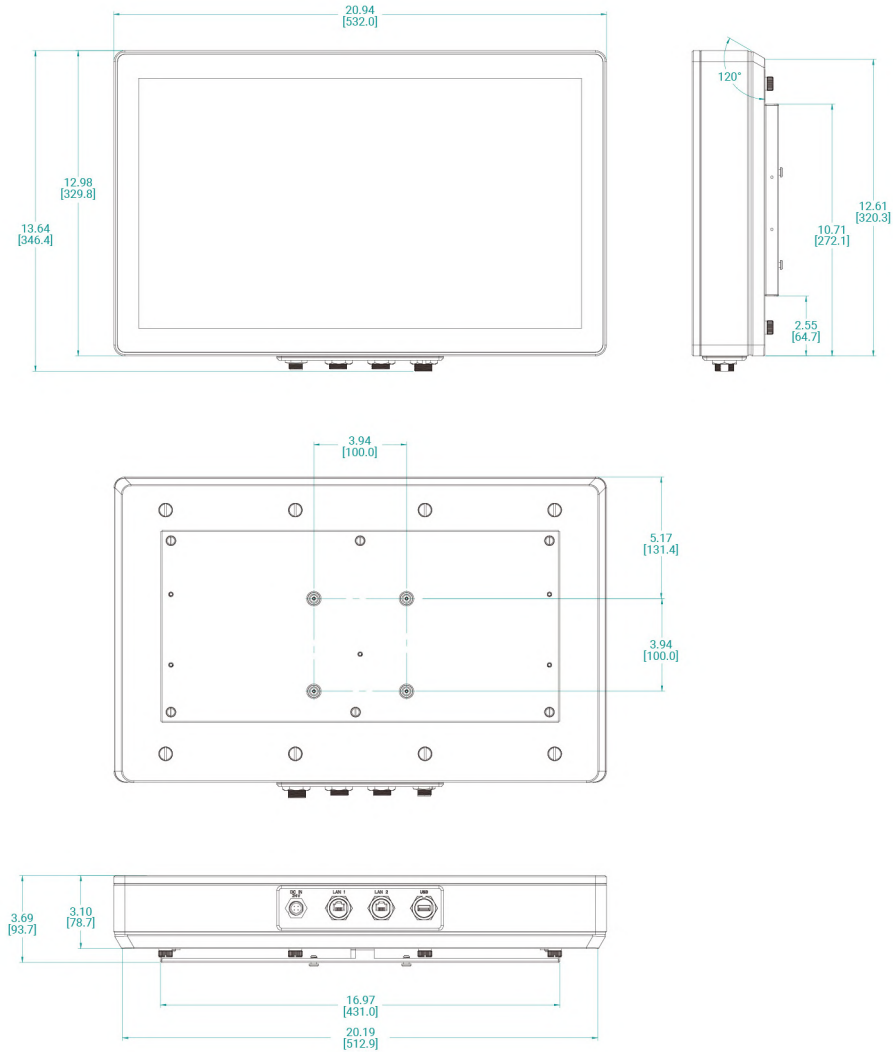
- 21.5" LCD, 1920 x 1080 Resolution
- Projected Capacitive Touch
- Stainless Steel Enclosure
- Intel E3845 ATOM CPU/ Intel i7-6600U CPU
- Up to 8GB DDR3/ Up to 16GB DDR4 SO-DIMM
- 1x Gigabit Ethernet
- 2x USB 2.0 ports
- Optional 2.5" SSD
- 24VDC Operating Voltage
- for Use in Class I, Division 2 Hazardous Locations

Specifications

Model Name	ARP-3821AX-E01	ARP-3821AX-H01
LCD Display		
Display Size (Diagonal)	21.5 inch	21.5 inch
Max Resolution	1920 x 1080	1920 x 1080
Backlight Lifetime (Hours)	50,000 hours	50,000 hours
Visual Characteristics		
Colors	16.7 million	16.7 million
Aspect Ratio	16:9	16:9
Viewing Angle (V/H)	178° / 178°	178° / 178°
Contrast Ratio	1000 : 1	1000 : 1
Brightness	250 nits	250 nits
Touchscreen		
Technology	Projected Capacitive	Projected Capacitive
Interface	USB	USB
Driver	Windows 7, Windows 10	Windows 7, Windows 10
Enclosure		
NEMA 4	N/A	N/A
NEMA 4x	Stainless Steel 316L	Stainless Steel 316L
System		
CPU	Intel E3845 1.91GHz ATOM CPU	3.4 GHz i7-6600U
Chipset	Bay Trail	By CPU
Memory	Up to 8GB DDR3L SO-DIMM	Up to 16GB DDR4 SO-DIMM
Video Controller	Intel Gen7 Intel Graphics DX 11, OGL3.2	Intel HD Graphics 520
External Video Output	N/A	N/A
Storage Option	2.5" SSD	2.5" SSD
Compact Flash	N/A	N/A
Keyboard / Mouse	USB	USB
Audio	N/A	N/A
Watchdog Timer	Programmable 1 - 255 sec	Programmable 1 - 255 sec
Remote Boot	ThinManager Ready, PXE	N/A
Expansion Slot	N/A	N/A
I/O Communication		
USB Port	2 x USB 2.0	2 x USB 2.0
Serial Port	N/A	N/A
IEEE 1394	N/A	N/A
LAN	1 x Gigabit	1 x Gigabit
Parallel	N/A	N/A
GPIO	N/A	N/A
Smart Battery		
External Smart Battery	N/A	N/A
OS Support		
OS Support	Windows 7, Windows 10	Windows 7, Windows 10
Power/Thermal Specs		
Power Requirement (Max)	24VDC / 1.58A	24VDC / 2.2A
Power Consumption (Max)	38 W	51W
Recommended Power Supply	55 W	75W
Heat Dissipation	130 BTU/hr	174 BTU/hr
Physical Information		
Mounting	Pedestal, VESA, Wall mount, Benchtop	Pedestal, VESA, Wall and Ceiling mount, Benchtop
Net Weight	27 Lbs / 12.25 Kg	27 Lbs / 12.25 Kg
Dimension (W x H x D)	20.94 x 13.64 x 3.69 inch 532.0 x 346.4 x 93.7 mm	20.94 x 13.64 x 3.69 inch 532.0 x 346.4 x 93.7 mm
Recommended Cutout Dimension (WxH)	N/A	N/A
Environmental		
Operating Temperature	0~50°C (32~122°F)	0~50°C (32~122°F)
Storage Temperature	-20~60°C (-4~140°F)	-20~60°C (-4~140°F)
Relative Humidity	0~95%	0~95%
IP/NEMA Rating	Meets NEMA 4X	Meets NEMA 4X
Certification	C1D2: UL121201, CSA 22.2	C1D2: UL121201, CSA 22.2

Dimension Drawing

Model Name: ARP-3821AX
Size Unit: inch(mm)



Ordering Information

Item	ARP-3821AX-E01-006-C1D2	ARP-3821AX-E01-094-C1D2
LCD Display	21.5" LCD / 1920 x 1080	21.5" LCD / 1920 x 1080
Touch Screen	Projected Capacitive	Projected Capacitive
Enclosure	Stainless Steel	Stainless Steel
CPU	E3845 ATOM CPU	E3845 ATOM CPU
Memory	4GB DDR3	8GB DDR3
Storage	N/A	512GB 2.5" SATA SSD
Remote Boot	ThinManager Ready	N/A
Power Supply	24VDC INPUT	24VDC INPUT

Item	ARP-3821AX-H01-094-700-C1D2
LCD Display	21.5" LCD / 1920 x 1080
Touch Screen	Projected Capacitive
Enclosure	Stainless Steel
CPU	Intel 2.6/3.4 GHz i7-6600U
Memory	16GB DDR4
Storage	512GB 2.5" SATA SSD
Remote Boot	N/A
Power Supply	24VDC INPUT



ARP-5515AX

NEMA 4X Waterproof Panel PC with 15-inch Resistive Touch Screen for Use in Class I, Division 2 Hazardous Locations

Features

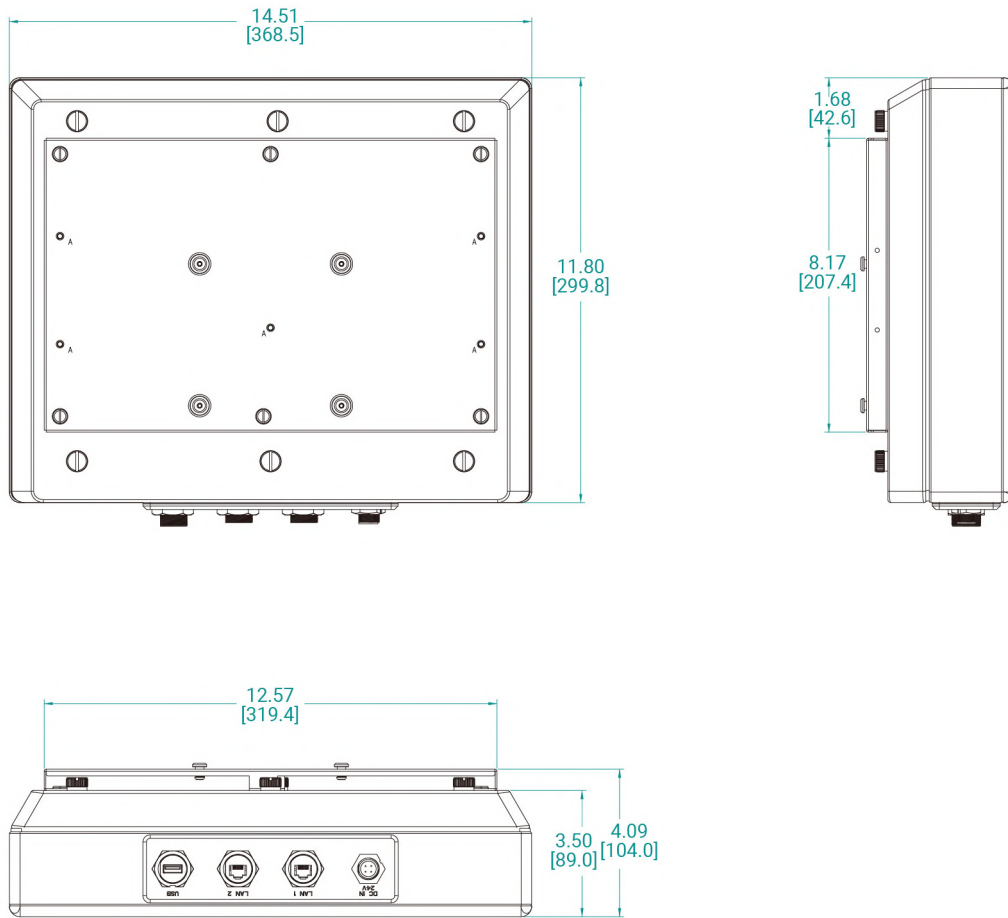
- 15" LCD, 1024 x 768 Resolution
- 5-Wire Resistive Touch
- Stainless Steel Enclosure
- Intel E3845 ATOM CPU/ Intel i7-6600U CPU
- Up to 8GB DDR3/ Up to 16GB DDR4 SO-DIMM
- 1x Gigabit Ethernet
- 2x USB 2.0 ports
- Optional 2.5" SSD
- 24VDC Operating Voltage
- for Use in Class I, Division 2 Hazardous Locations

Specifications

Model Name	ARP-5515AX-E01	ARP-5515AX-H01
LCD Display		
Display Size (Diagonal)	15.0 inch	15.0 inch
Resolution	1024 x 768	1024 x 768
Backlight Lifetime (Hours)	50,000	50,000
Visual Characteristics		
Colors	16.7 million	16.7 million
Aspect Ratio	4:3	4:3
Viewing Angle (V/H)	140° / 170°	140° / 170°
Contrast Ratio	700 : 1	700 : 1
Brightness	300 nits (max)	300 nits (max)
Touchscreen		
Technology	5 Wire Resistive	5 Wire Resistive
Interface	USB	USB
Driver	Windows 7 & Windows 10	Windows 7 & Windows 10
Enclosure		
NEMA 4	N/A	N/A
NEMA 4x	Stainless Steel	Stainless Steel
System		
CPU	Intel E3845 1.91GHz ATOM CPU	Intel i7-6600U
Chipset	Bay Trail	By CPU
Memory	Up to 8GB DDR3L SO-DIMM	Up to 16GB DDR4 SO-DIMM
Video Controller	Intel Gen7 Intel Graphics DX 11, OGL3.2	Intel HD Graphics 520
External Video Output	N/A	N/A
Storage Option	Optional 2.5" SSD	Optional 2.5" SSD
Compact Flash	N/A	N/A
Keyboard / Mouse	USB	USB
Audio	N/A	N/A
Watchdog Timer	Programmable 1 - 255 sec	Programmable 1 - 255 sec
Remote Boot	ThinManager Ready, PXE	N/A
Expansion Slot	N/A	N/A
I/O Communication		
USB Port	2 x USB 2.0	2 x USB 2.0
Serial Port	N/A	N/A
IEEE 1394	N/A	N/A
LAN	1 x Gigabit	1 x Gigabit
Parallel	N/A	N/A
GPIO	N/A	N/A
Smart Battery		
External Smart Battery	N/A	N/A
OS Support		
OS Support	Windows 7, Windows 10	Windows 7, Windows 10
Power/Thermal Specs		
Power Requirement (Max)	24VDC / 1.17A	24VDC / 1.7A
Power Consumption (Max)	28 W	40W
Recommended Power Supply	40 W	60W
Heat Dissipation	96 BTU/hr	136 BTU/hr
Physical Information		
Mounting	Pedestal, VESA, Wall and Ceiling mount, Benchtop	Pedestal, VESA, Wall and Ceiling mount, Benchtop
Net Weight	32 Lbs/ 14.52 kg	32 Lbs / 14.52 Kg
Dimension (W x H x D)	14.51 x 12.42 x 4.09 inch 368.6 x 315.5 x 103.9 mm	14.51 x 12.42 x 4.09 inch 368.6 x 315.5 x 103.9 mm
Recommended Cutout Dimension (WxH)	N/A	N/A
Environmental		
Operating Temperature	0~50°C (32~122°F)	0~50°C (32~122°F)
Storage Temperature	-20~60°C (-4~140°F)	-20~60°C (-4~140°F)
Relative Humidity	0~95%	0~95%
IP/NEMA Rating	Meets NEMA 4X	Meets NEMA 4X
Certification	C1D2: UL121201, CSA 22.2	C1D2: UL121201, CSA 22.2

Dimension Drawing

Model Name: ARP-5515AX
 Size Unit: inch(mm)



Ordering Information

Item	ARP-5515AX-E01-006-C1D2	ARP-5515AX-E01-094-C1D2
LCD Display	15.0" LCD / 1024 x 768	15.0" LCD / 1024 x 768
Touch Screen	5-Wire	5-Wire
Enclosure	Stainless Steel	Stainless Steel
CPU	E3845 ATOM CPU	E3845 ATOM CPU
Memory	4GB DDR3	8GB DDR3
Storage	N/A	512GB 2.5" SATA SSD
Remote Boot	ThinManager Ready	N/A
Power Supply	24VDC INPUT	24VDC INPUT

Item	ARP-5515AX-H01-094-700-C1D2
LCD Display	15.0" LCD / 1024 x 768
Touch Screen	5-Wire
Enclosure	Stainless Steel
CPU	Intel 2.6/3.4 GHz i7-6600U
Memory	16GB DDR4
Storage	512GB 2.5" SATA SSD
Remote Boot	N/A
Power Supply	24VDC INPUT



ARP-5517AX

NEMA 4X Waterproof Panel PC with 17-inch Resistive Touch Screen for Use in Class I, Division 2 Hazardous Locations

Features

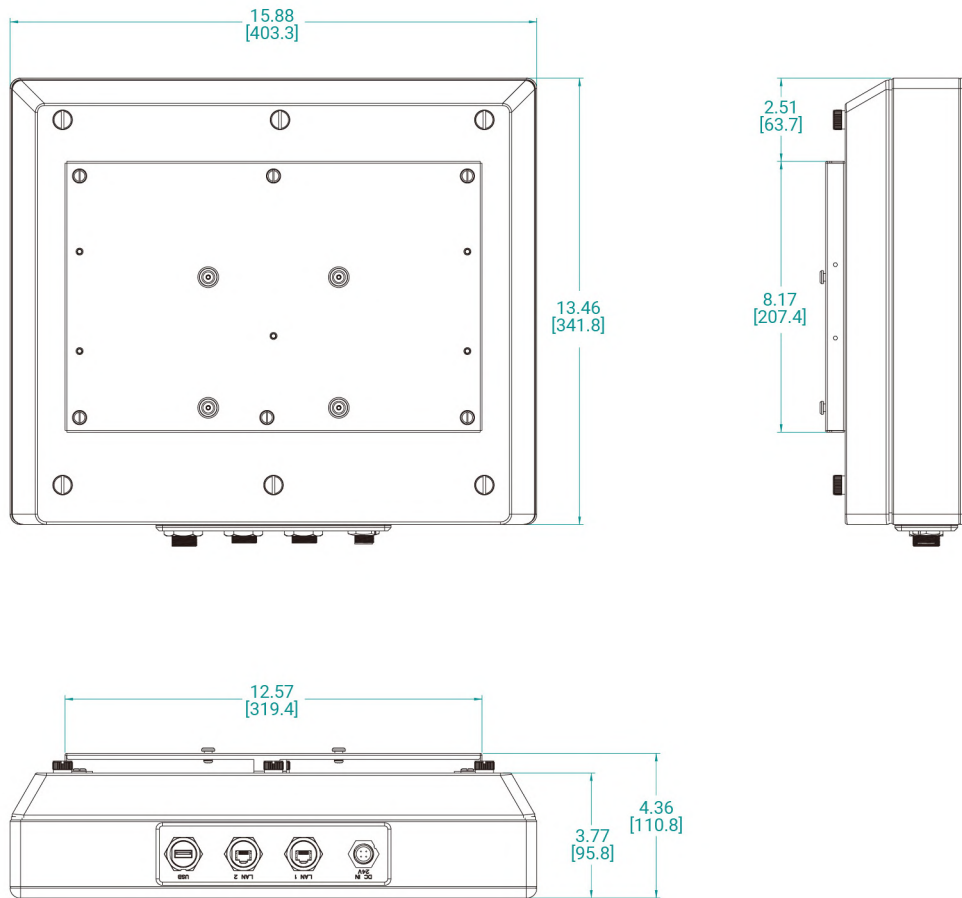
- 17" LCD, 1280 x 1024 Resolution
- 5-Wire Resistive Touch
- Stainless Steel Enclosure
- Intel E3845 ATOM CPU/ Intel i7-6600U CPU
- Up to 8GB DDR3/ Up to 16GB DDR4 SO-DIMM
- 1x Gigabit Ethernet
- 2x USB 2.0 ports
- Optional 2.5" SSD
- 24VDC Operating Voltage
- for Use in Class I, Division 2 Hazardous Locations

Specifications

Model Name	ARP-5517AX-E01	ARP-5517AX-H01
LCD Display		
Display Size (Diagonal)	17.0 inch	17.0 inch
Max Resolution	1280 x 1024	1280 x 1024
Backlight Lifetime (Hours)	50,000 hours	50,000 hours
Visual Characteristics		
Colors	16.7 million	16.7 million
Aspect Ratio	5:4	5:4
Viewing Angle (V/H)	160° / 140°	160° / 140°
Contrast Ratio	800 : 1	800 : 1
Brightness	350 nits (max)	350 nits (max)
Touchscreen		
Technology	5 Wire Resistive	5 Wire Resistive
Interface	USB	USB
Driver	Windows 7 & Windows 10	Windows 7 & Windows 10
Enclosure		
NEMA 4	N/A	N/A
NEMA 4x	Stainless Steel	Stainless Steel
System		
CPU	Intel E3845 1.91GHz ATOM CPU	Intel i7-6600U
Chipset	Bay Trail	By CPU
Memory	Up to 8GB DDR3L SO-DIMM	Up to 16GB DDR4 SO-DIMM
Video Controller	Intel Gen7 Intel Graphics DX 11, OGL3.2	Intel HD Graphics 520
External Video Output	N/A	N/A
Storage Option	Optional 2.5" SSD	Optional 2.5" SSD
Compact Flash	N/A	N/A
Keyboard / Mouse	USB	USB
Audio	N/A	N/A
Watchdog Timer	Programmable 1 - 255 sec	Programmable 1 - 255 sec
Remote Boot	ThinManager Ready, PXE	N/A
Expansion Slot	N/A	N/A
I/O Communication		
USB Port	2 x USB 2.0	2 x USB 2.0
Serial Port	N/A	N/A
IEEE 1394	N/A	N/A
LAN	1 x Gigabit	1 x Gigabit
Parallel	N/A	N/A
GPIO	N/A	N/A
Smart Battery		
External Smart Battery	N/A	N/A
OS Support		
OS Support	Windows 7, Windows 10	Windows 7, Windows 10
Power/Thermal Specs		
Power Requirement (Max)	24VDC / 1.25A	24VDC / 2.2A
Power Consumption (Max)	30 W	51W
Recommended Power Supply	43 W	75W
Heat Dissipation	103 BTU/hr	174 BTU/hr
Physical Information		
Mounting	Pedestal, VESA, Wall and Ceiling mount, Benchtop	Pedestal, VESA, Wall and Ceiling mount, Benchtop
Net Weight	34 Lbs / 15.42 Kg	34 Lbs / 15.42 Kg
Dimension (W x H x D)	15.88 x 14.07 x 4.36 inch 403.4 x 357.4 x 110.7 mm	15.88 x 14.07 x 4.36 inch 403.4 x 357.4 x 110.7 mm
Recommended Cutout Dimension (WxH)	N/A	N/A
Environmental		
Operating Temperature	0~50°C (32~122°F)	0~50°C (32~122°F)
Storage Temperature	-20~60°C (-4~140°F)	-20~60°C (-4~140°F)
Relative Humidity	0~95%	0~95%
IP/NEMA Rating	Meets NEMA 4X	Meets NEMA 4X
Certification	C1D2: UL121201, CSA 22.2	C1D2: UL121201, CSA 22.2

Dimension Drawing

Model Name: ARP-5517AX
 Size Unit: inch(mm)



Ordering Information

Item	ARP-5517AX-E01-006-C1D2	ARP-5517AX-E01-094-C1D2
LCD Display	17.0" LCD / 1280 x 1024	17.0" LCD / 1280 x 1024
Touch Screen	5-Wire	5-Wire
Enclosure	Stainless Steel	Stainless Steel
CPU	E3845 ATOM CPU	E3845 ATOM CPU
Memory	4GB DDR3	8GB DDR3
Storage	N/A	512GB 2.5" SATA SSD
Remote Boot	ThinManager Ready	N/A
Power Supply	24VDC INPUT	24VDC INPUT

Item	ARP-5517AX-H01-094-700-C1D2
LCD Display	17.0" LCD / 1280 x 1024
Touch Screen	5-Wire
Enclosure	Stainless Steel
CPU	Intel 2.6/3.4 GHz i7-6600U
Memory	16GB DDR4
Storage	512GB 2.5" SATA SSD
Remote Boot	N/A
Power Supply	24VDC INPUT



ARP-5519AX

NEMA 4X Waterproof Panel PC with 19-inch Resistive Touch Screen for Use in Class I, Division 2 Hazardous Locations

Features

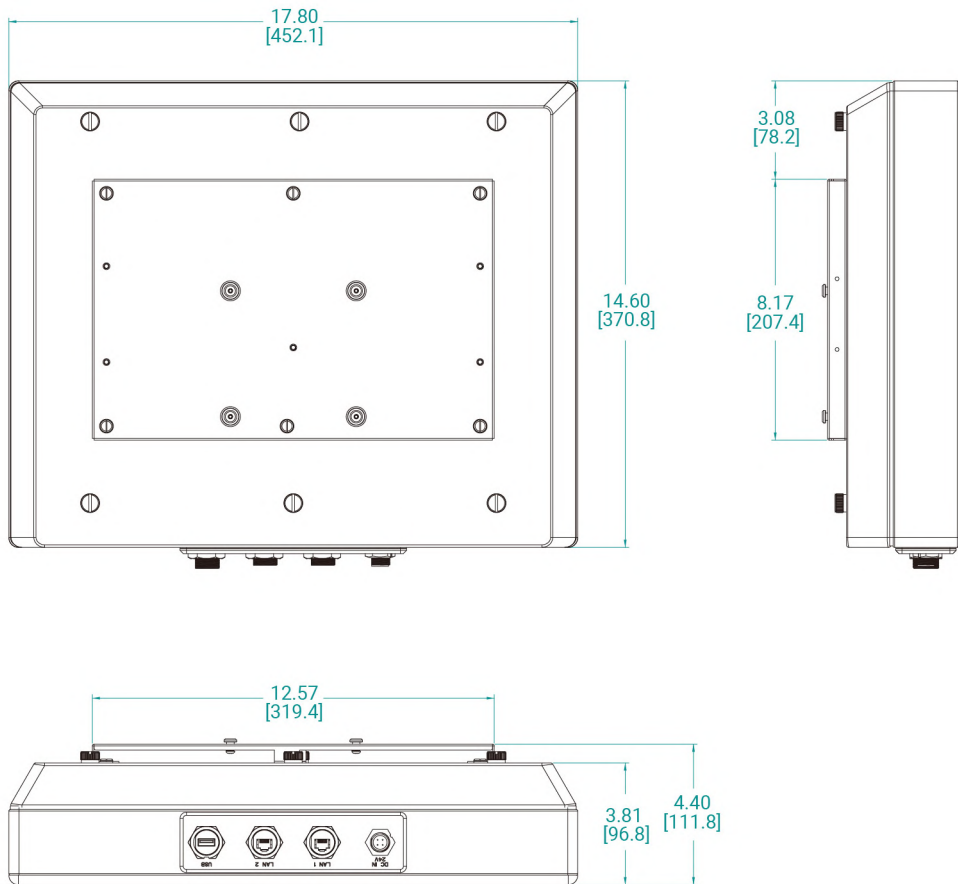
- 19" LCD, 1280 x 1024 Resolution
- 5-Wire Resistive Touch
- Stainless Steel Enclosure
- Intel E3845 ATOM CPU/ Intel i7-6600U CPU
- Up to 8GB DDR3/ Up to 16GB DDR4 SO-DIMM
- 1x Gigabit Ethernet
- 2x USB 2.0 ports
- Optional 2.5" SSD
- 24VDC Operating Voltage
- for Use in Class I, Division 2 Hazardous Locations

Specifications

Model Name	ARP-5519AX-E01	ARP-5519AX-H01
LCD Display		
Display Size (Diagonal)	19.0 inch	19.0 inch
Max Resolution	1280 x 1024	1280 x 1024
Backlight Lifetime (Hours)	50,000	50,000
Visual Characteristics		
Colors	16.7 million	16.7 million
Aspect Ratio	5:4	5:4
Viewing Angle (V/H)	160° / 170°	160° / 170°
Response time (Typical)	30 ms	30 ms
Pixel Pitch (mm)	0.294 x 0.294	0.294 x 0.294
Contrast Ratio	1000 : 1	1000 : 1
Brightness	450 nits (max)	450 nits (max)
Touchscreen		
Technology	5 Wire Resistive	5 Wire Resistive
Interface	USB	USB
Driver	Windows 7 & Windows 10	Windows 7 & Windows 10
Enclosure		
NEMA 4	N/A	N/A
NEMA 4x	Stainless Steel	Stainless Steel
System		
CPU	Intel E3845 1.91GHz ATOM CPU	Intel i7-6600U
Chipset	Bay Trail	By CPU
Memory	Up to 8GB DDR3L SO-DIMM	Up to 16GB DDR4 SO-DIMM
Video Controller	Intel Gen7 Intel Graphics DX 11, OGL3.2	Intel HD Graphics 520
External Video Output	N/A	N/A
Storage Option	Optional 2.5" SSD	Optional 2.5" SSD
Compact Flash	N/A	N/A
Keyboard / Mouse	USB	USB
Audio	N/A	N/A
Watchdog Timer	Programmable 1 - 255 sec	Programmable 1 - 255 sec
Remote Boot	ThinManager Ready, PXE	N/A
Expansion Slot	N/A	N/A
I/O Communication		
USB Port	2 x USB 2.0	2 x USB 2.0
Serial Port	N/A	N/A
IEEE 1394	N/A	N/A
LAN	1 x Gigabit	1 x Gigabit
Parallel	N/A	N/A
GPIO	N/A	N/A
Smart Battery		
External Smart Battery	N/A	N/A
OS Support		
OS Support	Windows 7, Windows 10	Windows 7, Windows 10
Power/Thermal Specs		
Power Requirement (Max)	24VDC / 1.25A	24VDC / 2.2A
Power Consumption (Max)	30 W	51W
Recommended Power Supply	43 W	75W
Heat Dissipation	103 BTU/hr	174 BTU/hr
Physical Information		
Mounting	Pedestal, VESA, Wall and Ceiling mount, Benchtop	Pedestal, VESA, Wall and Ceiling mount, Benchtop
Net Weight	35 Lbs / 15.88 Kg	35 Lbs / 15.88 Kg
Dimension (W x H x D)	17.80 x 15.19 x 4.40 inch	17.80 x 15.19 x 4.40 inch
Recommended Cutout Dimension (WxH)	452.1 x 385.8 x 111.8 mm	452.1 x 385.8 x 111.8 mm
Recommended Cutout Dimension (WxH)	N/A	N/A
Environmental		
Operating Temperature	0~50°C (32~122°F)	0~50°C (32~122°F)
Storage Temperature	-20~60°C (-4~140°F)	-20~60°C (-4~140°F)
Relative Humidity	0~95%	0~95%
IP/NEMA Rating	Meets NEMA 4X	Meets NEMA 4X
Certification	C1D2: UL121201, CSA 22.2	C1D2: UL121201, CSA 22.2

Dimension Drawing

Model Name: ARP-5519AX
 Size Unit: inch(mm)



Ordering Information


Item	ARP-5519AX-E01-006-C1D2	ARP-5519AX-E01-094-C1D2
LCD Display	19.0" LCD / 1280 x 1024	19.0" LCD / 1280 x 1024
Touch Screen	5-Wire	5-Wire
Enclosure	Stainless Steel	Stainless Steel
CPU	E3845 ATOM CPU	E3845 ATOM CPU
Memory	4GB DDR3	8GB DDR3
Storage	N/A	512GB 2.5" SATA SSD
Remote Boot	ThinManager Ready	N/A
Power Supply	24VDC INPUT	24VDC INPUT

Item	ARP-5519AX-H01-094-700-C1D2
LCD Display	19.0" LCD / 1280 x 1024
Touch Screen	5-Wire
Enclosure	Stainless Steel
CPU	Intel 2.6/3.4 GHz i7-6600U
Memory	16GB DDR4
Storage	512GB 2.5" SATA SSD
Remote Boot	N/A
Power Supply	24VDC INPUT



ARISTA Corporation (USA)

 40675 Encyclopedia Circle, Fremont, CA 94538.

 Phone : +1-510-226-1800  eFax : 510-405-8437

 sales@goarista.com  www.aristaipc.com